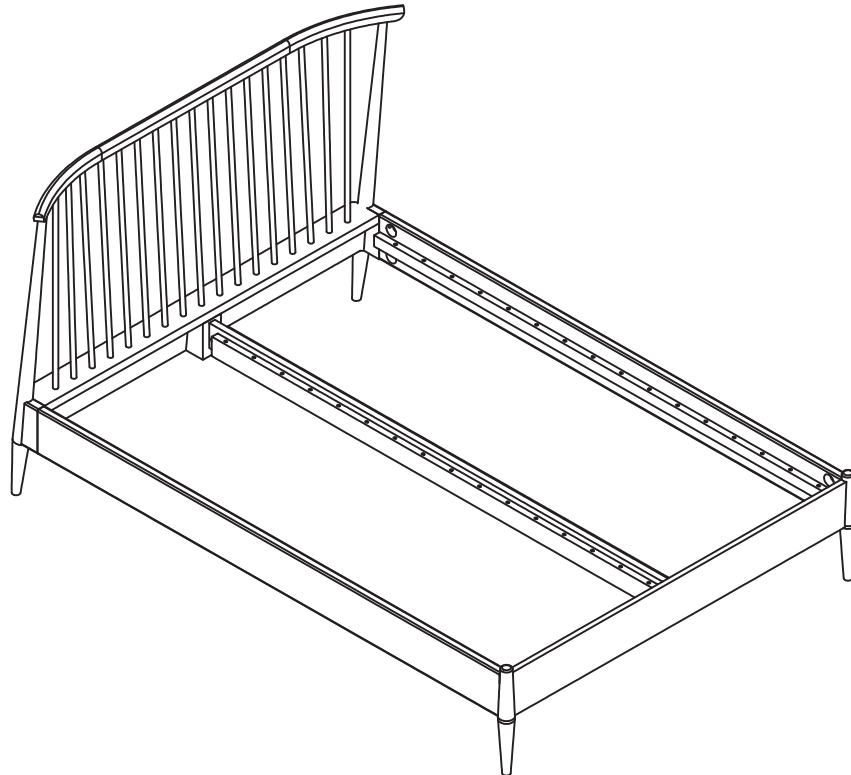


ercol

Salina OG bed

2100/2101 Double/King Spindle Size Bed

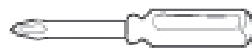
Thank you for purchasing this salina bed. Please read the instructions carefully before use to ensure safe and satisfactory operation of this product.



This item is **HEAVY**



Necessary Tools



Pre-assembly preparation

Please ensure instructions are read in full before attempting to assemble this product

Please check the pack contents before attempting to assemble this product. A full checklist of components is given in this leaflet. If any components are missing, please contact the retailer from whom you purchased this product.


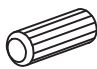

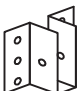

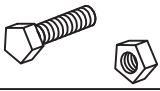

This product is **HEAVY**, it should be assembled as near as possible to the point of use. **TAKE CARE WHEN LIFTING** to avoid personal injury and (or) damage to the product.

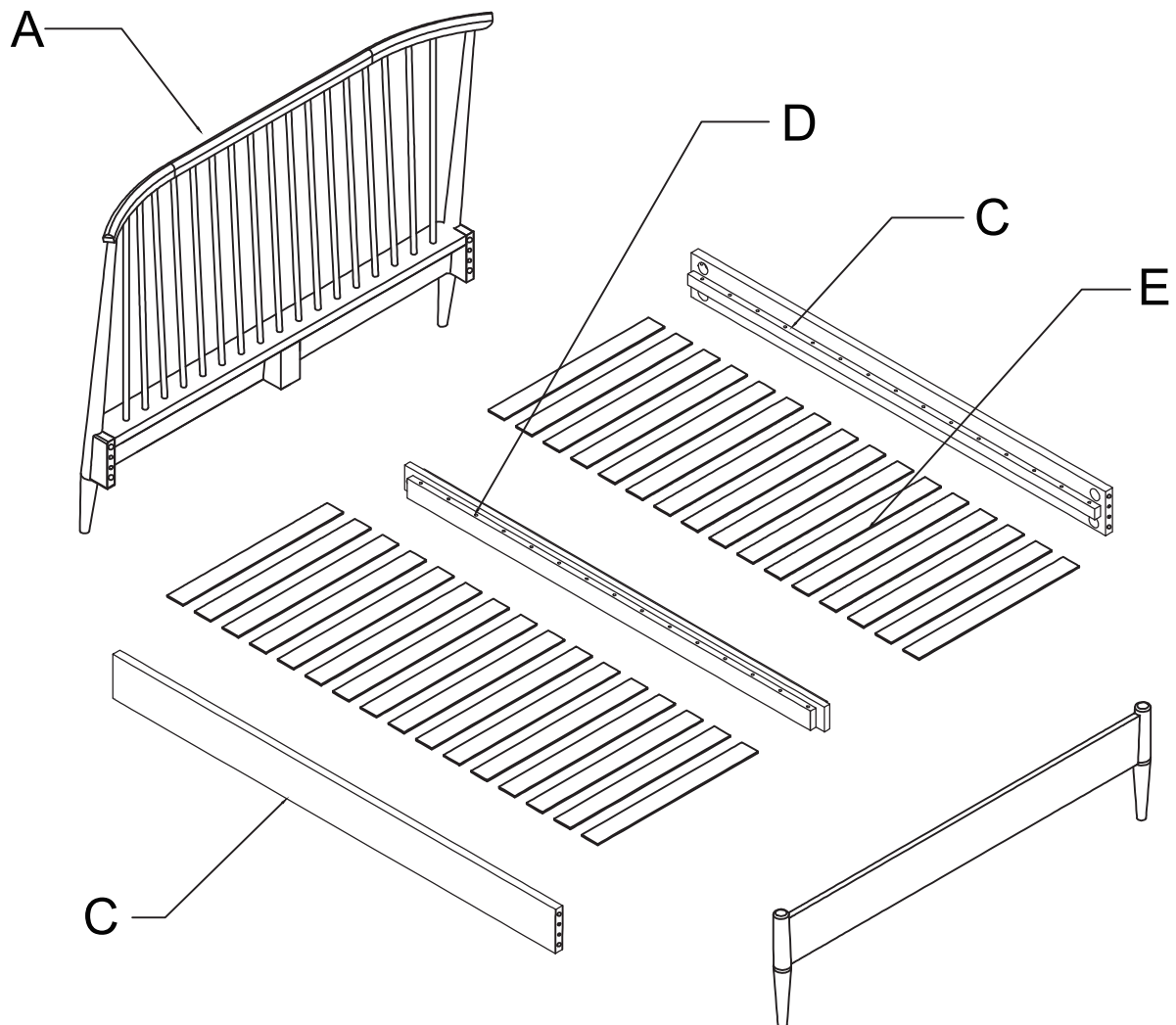
This product takes approximately **40 MINUTES** to assemble with **2 PEOPLE**.

The fittings pack contains **SMALL ITEMS** which should be **KEPT AWAY FROM YOUNG CHILDREN**.

Ref: 00237/2100/2101

Fittings and parts checklist

A	Headboard*1	H	half moon washer*8	
B	Footboard*1	I	dowels*8	
C	side rails*2	J	spanner*1	
D	centre rail*1	K	central brackets*2	
E	slats double bed*32 slats king size bed*34	L	washers*2	
F	ends for slats double*64 ends for slats king size*68	M	nuts and bolts*2 each	
G	threads*8	N	12mm screws*12	



Step by step assembly instructions

1. Push the threads G into the headboard and the footboard as shown below.
Tighten the threads by hand ensuring that there is approximately half of the threads still showing.

Fittings

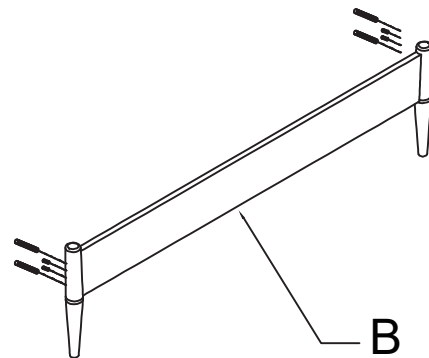
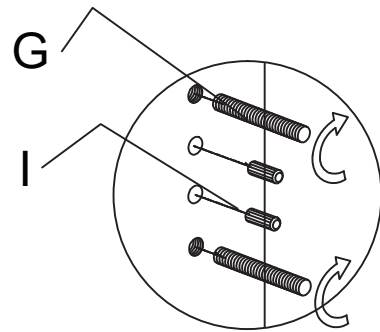
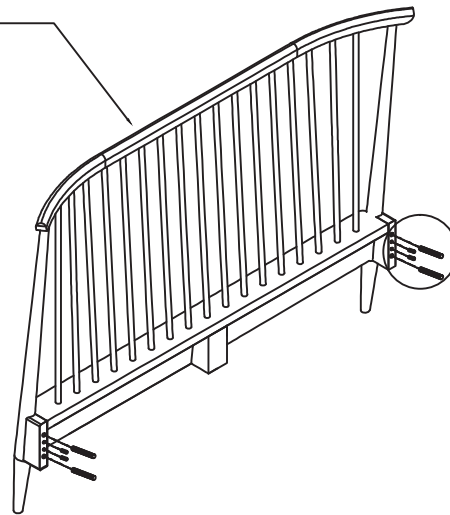


G*8

A



I*8



2. Making sure the holes in the side rails C, are facing upwards, AND you have the Left and Right rails, (see page 2) on the correct sides, locate these side rails onto the protruding threads on the headboard and foot board. As you do this, slide a half moon washer onto the thread when it comes through into the circular hole in the side of the rail, then screw on one of the 8 nuts FINGER TIGHT ONLY. Repeat with the other 3 corners.

Please note.

The holes in the slat support rail should be facing upwards.

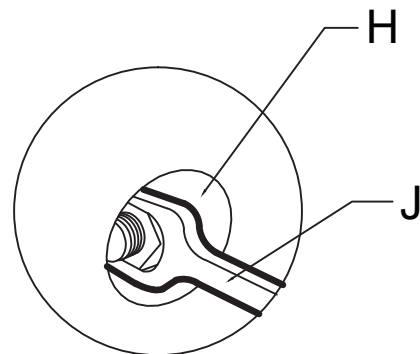
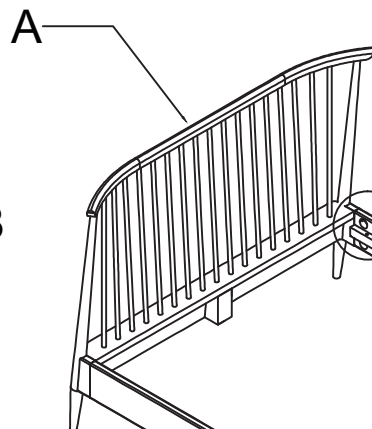
Fittings



H*8



J*1



C

B

- Using the N 12 x 20mm screws, attach the K two brackets into the headboard and the footboard using the pre-drilled holes, tighten with a phillips screwdriver.
- Making sure the holes in the centre rail are facing upwards, put the centre rail into the two brackets. Secure it in place using the 2x bolts, and the 2x washers and 2x nuts. Once the centre rail is in place, tighten all four corners so that they are secured.

Fittings



K*2



N*12



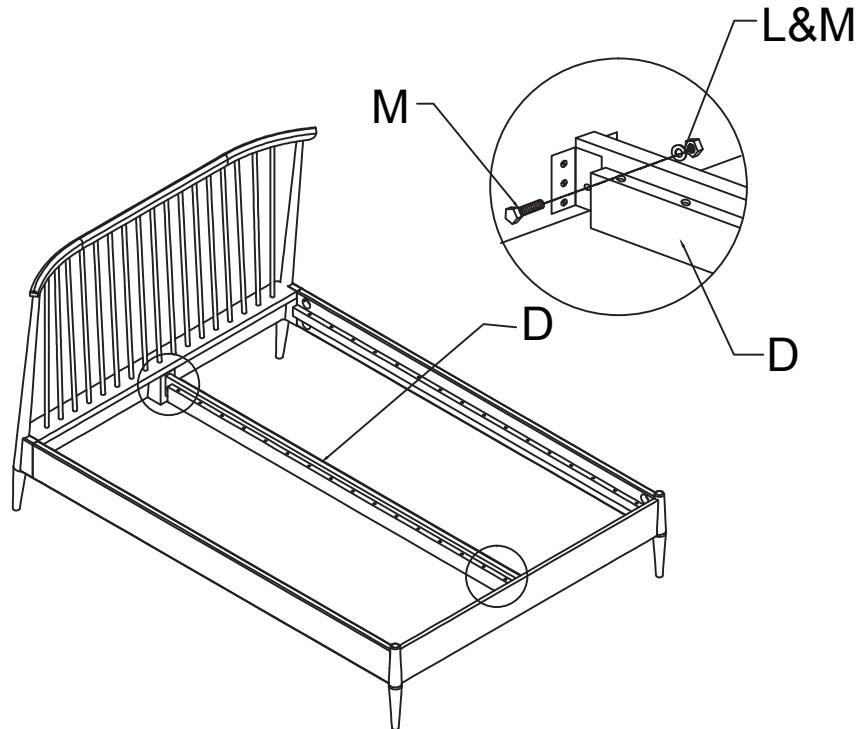
L*2



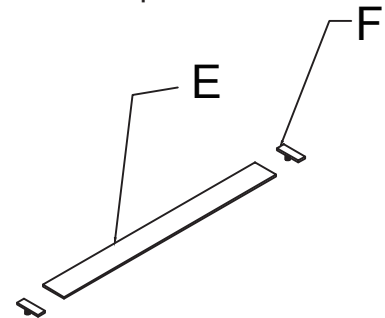
M*2



M*2



- Push a plastic cap onto each end of a slat and with the peg facing downwards push the slat into the pre drilled holes as shown below. Repeat for all the slats.



Fittings

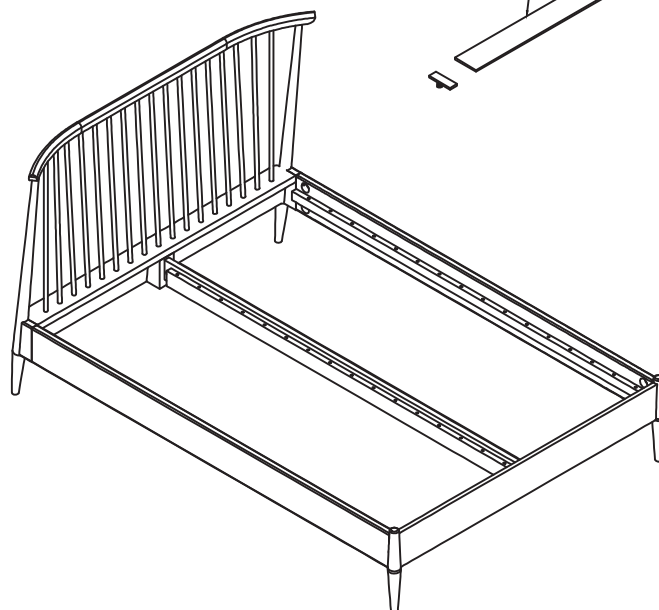


135CM

F*64

150&180CM

F*68



PLEASE KEEP THESE INSTRUCTIONS FOR FUTURE REFERENCE

Ercol Furniture Ltd, Summerleys Road, Princes Risborough, Buckinghamshire. HP27 9PX www.ercol.com